

CELMA
indukta

Cantoni
GROUP

Motor type

(2,3)SIE250 M4,6

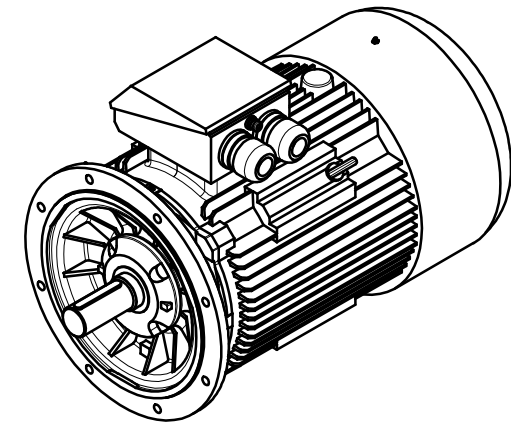
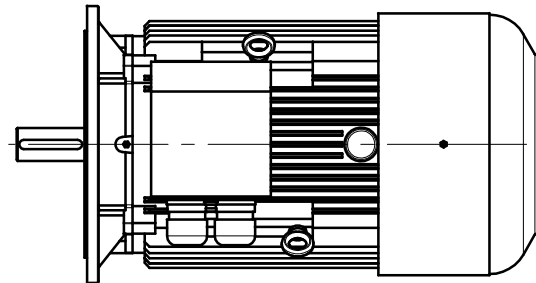
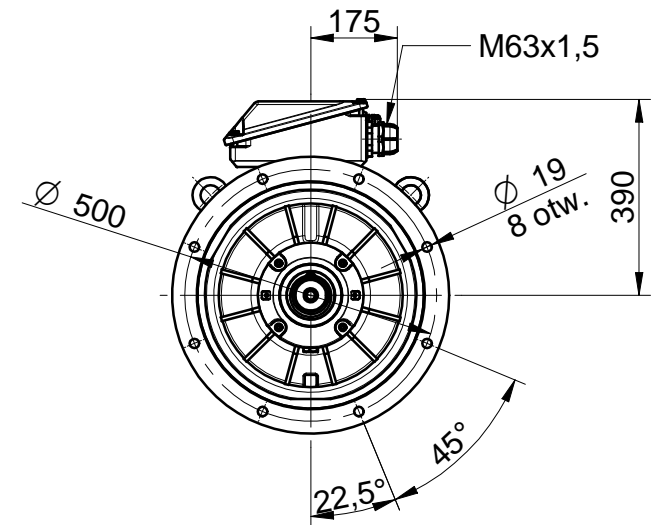
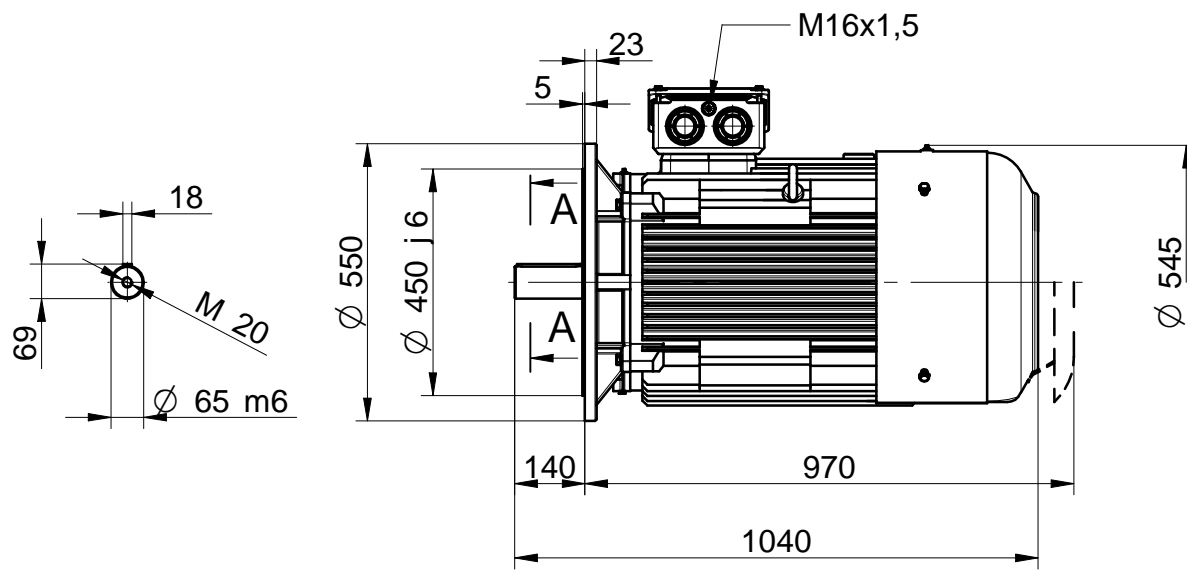
Drawing no.

S05,09-528..529-000

Scale

1:15

2014-07-04



CELMA
indukta

Cantoni
GROUP

Motor type

(2,3)SIEK250 M4,6

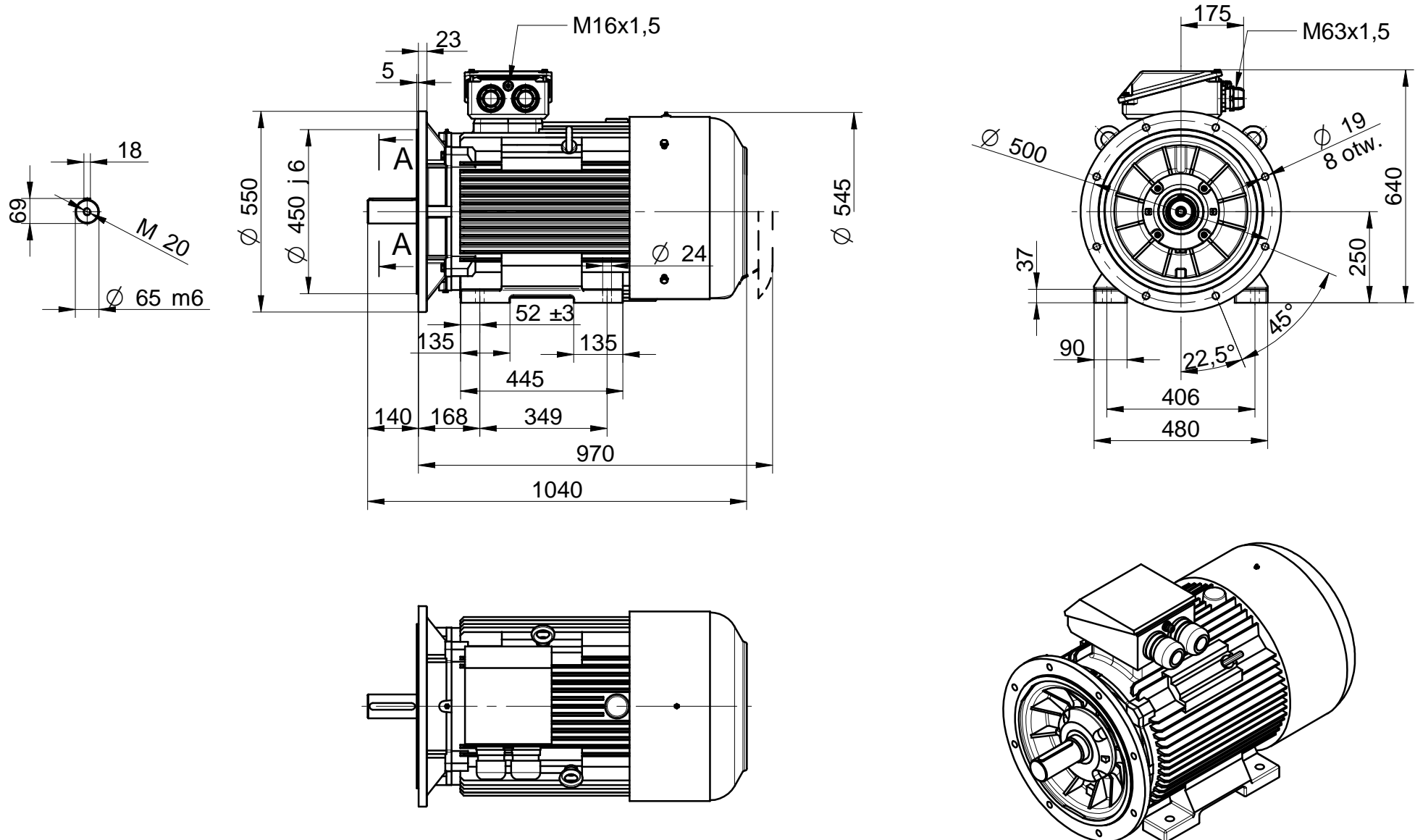
2014-10-27

Drawing no.

S05,09-534..535-000

Scale

1:15



CELMA
indukta

Cantoni
GROUP

Motor type

(2,3)SIEL250 M4,6

2014-07-07

Drawing no.

S05,09-531..532-000

Scale

1:15