

CELMA
indukta

Motor type

3SIE160M-B3

(according to KK-35-01)

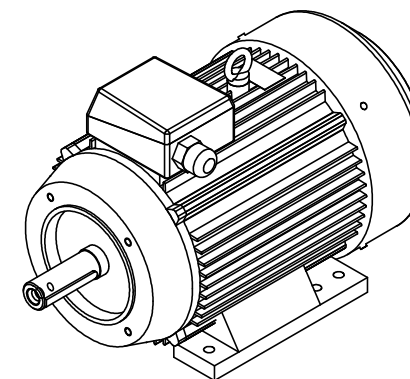
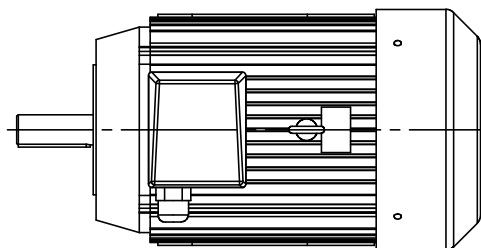
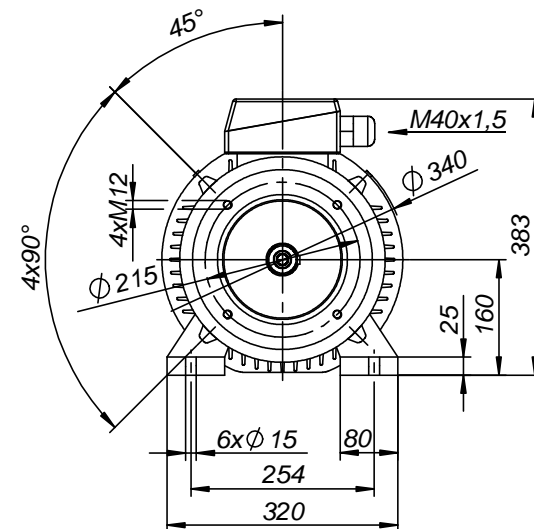
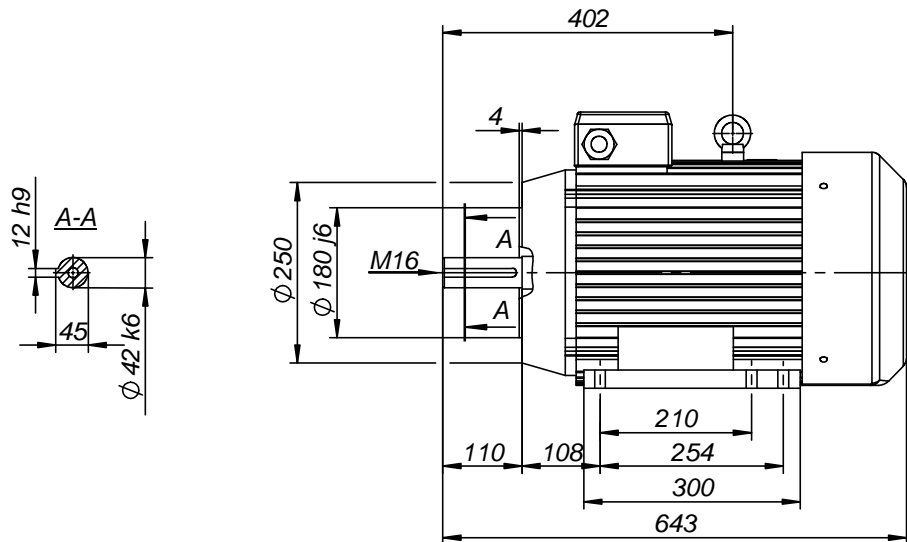
Cantoni[®]
GROUP

Drawing no.

S-1435-01-2014

Scale

1:10



CELMA
indukta

Motor type

3SIEL160M-B34-C2

(according to KK-35-01)

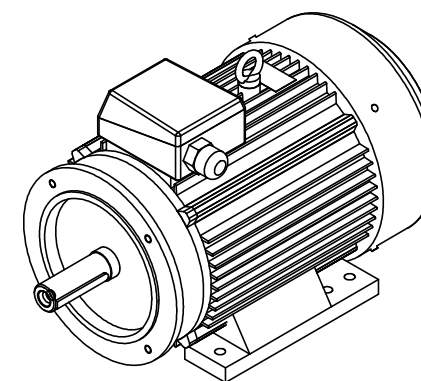
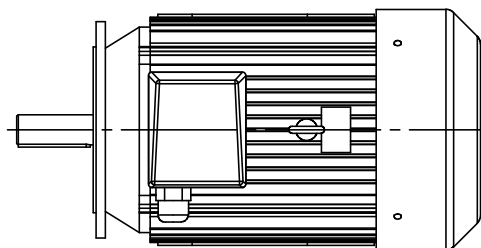
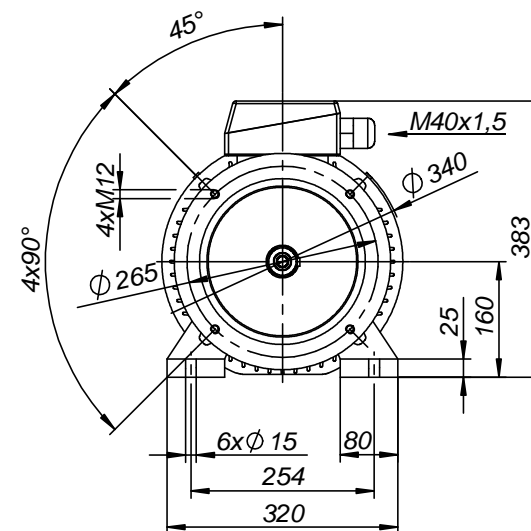
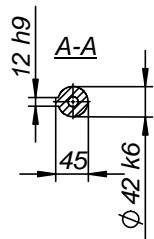
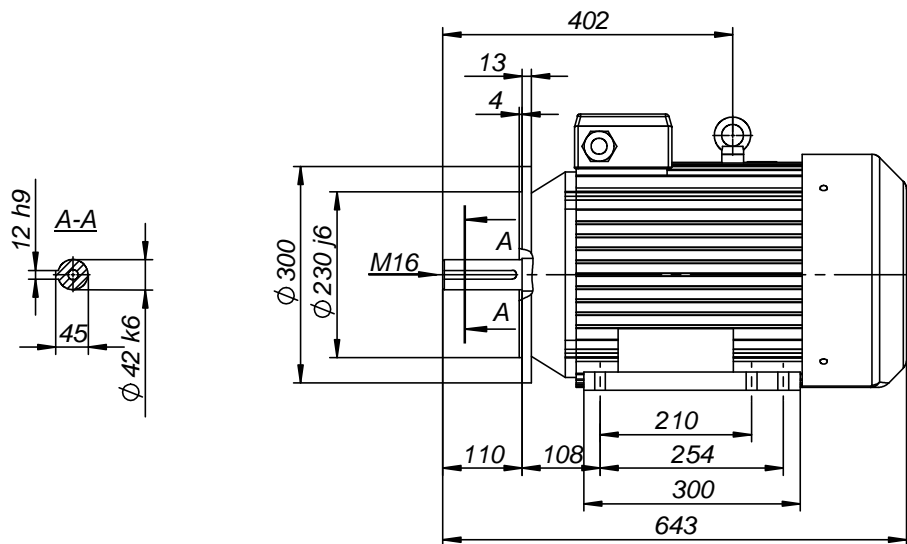
Drawing no.

S-1499-01-2014

Scale

1:10

Cantoni[®]
GROUP



CELMA
induktiva

Motor type

3SIEL160M-B34-C1

(according to KK-35-01)

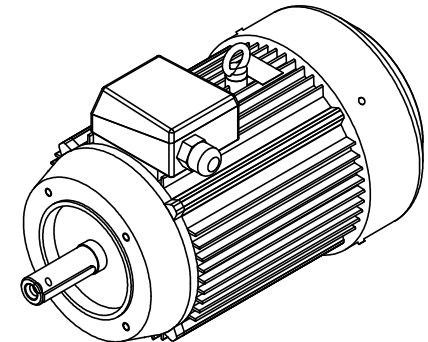
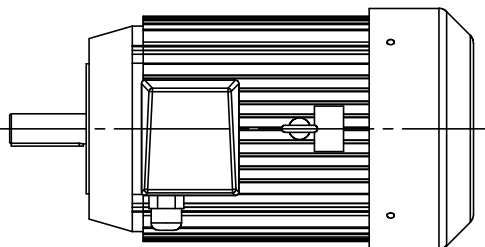
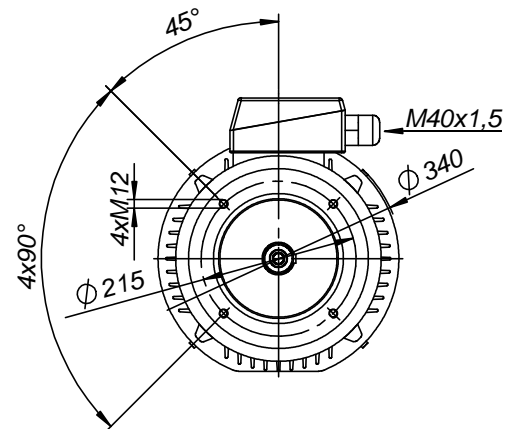
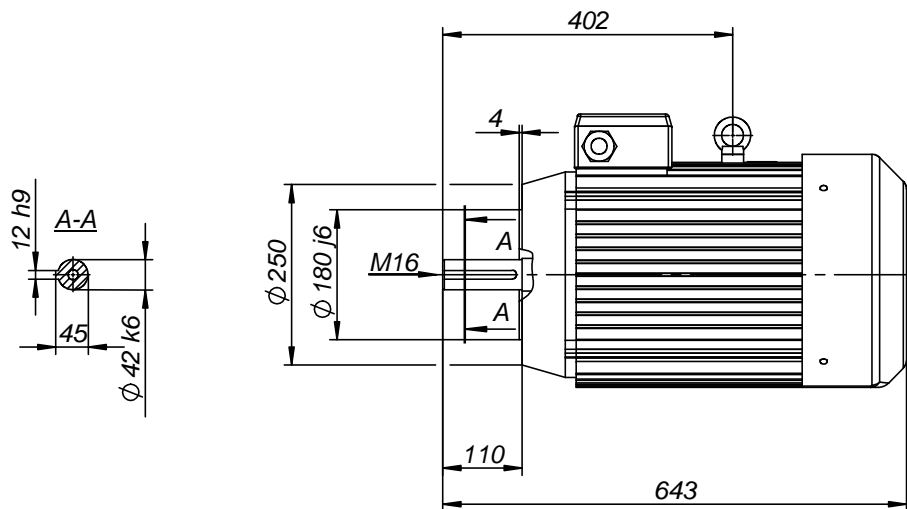
Drawing no.

S-1498-01-2014

Scale

1:10

Cantoni[®]
GROUP



Motor type

3SIEK160M;L-B14-C2

(according to KK-35-01)

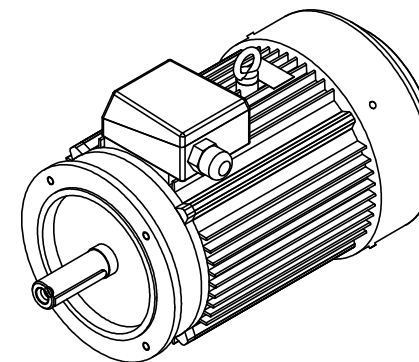
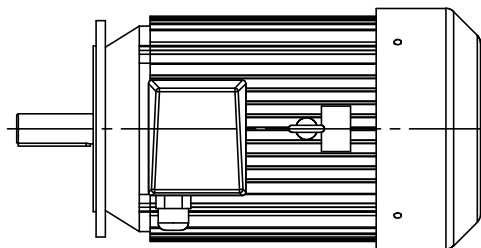
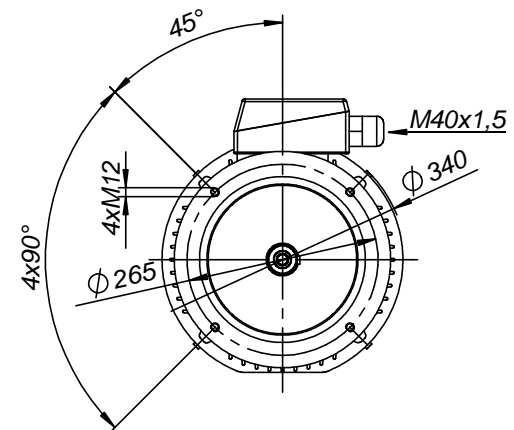
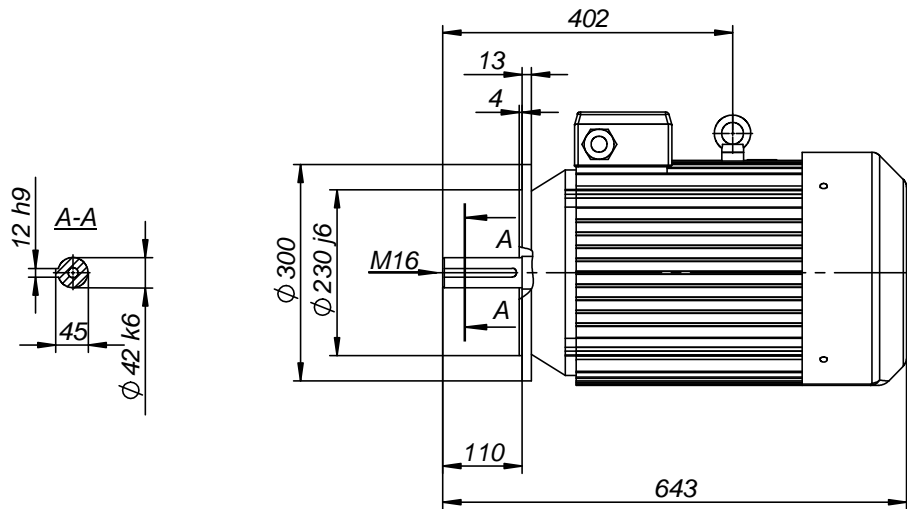


Drawing no.

S-1493-01-2014

Scale

1:10



CELMA
indukta

Motor type

3SIEK160M;L-B14-C1

(according to KK-35-01)

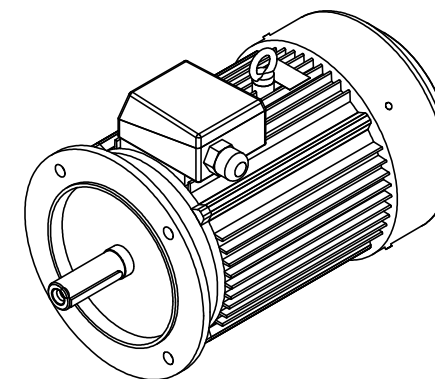
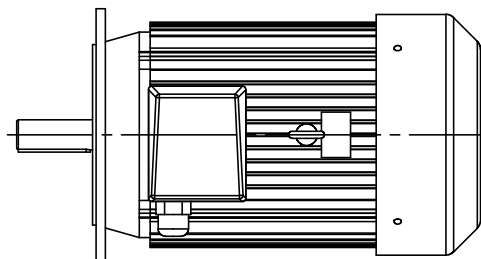
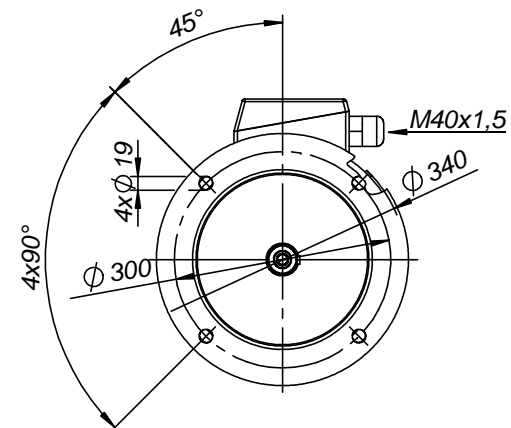
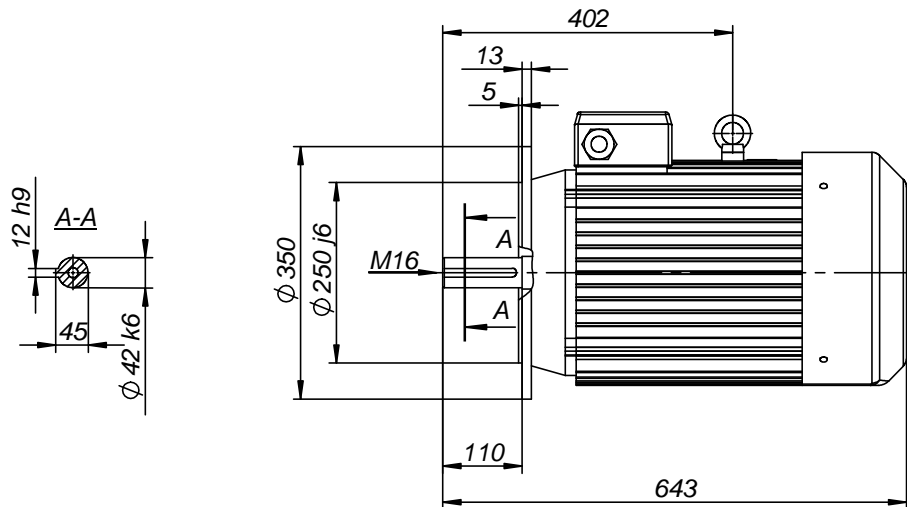
Drawing no.

S-1492-01-2014

Scale

1:10

Cantoni[®]
GROUP



CELMA
indukta

Motor type

3SIEK160M;L-B5

(according to KK-35-01)

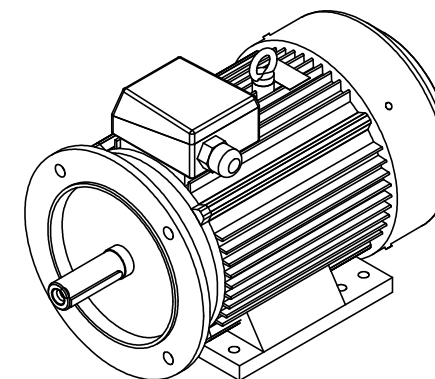
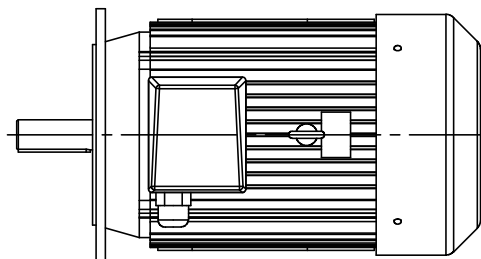
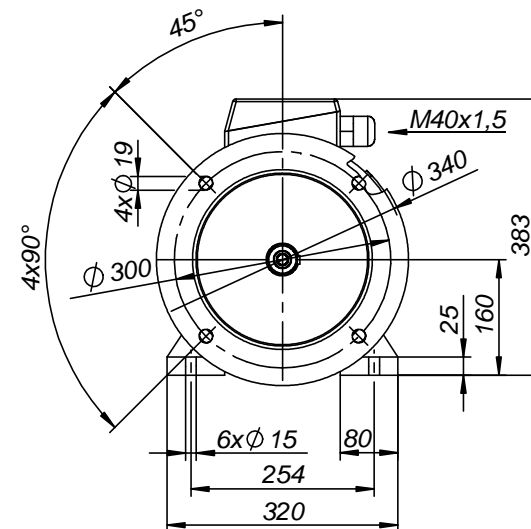
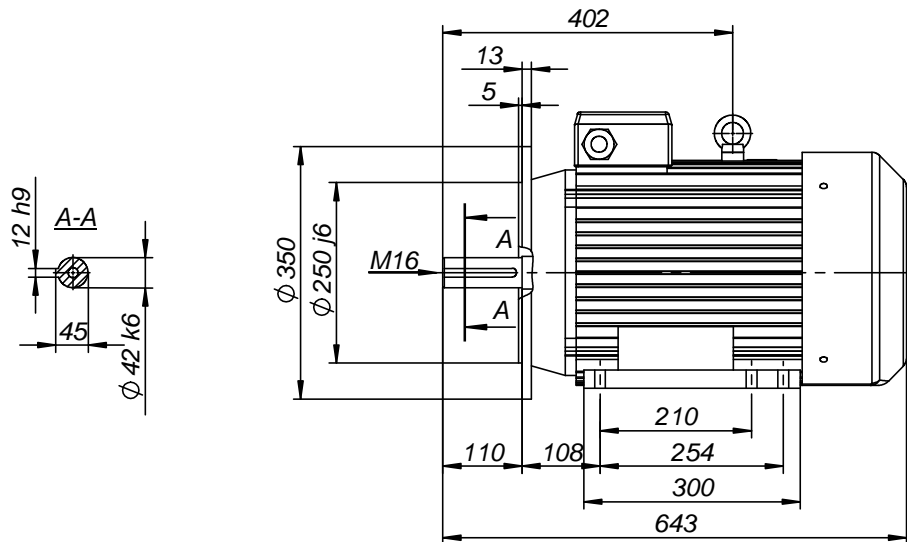
Drawing no.

S-1440-01-2014

Scale

1:10

Cantoni[®]
GROUP



CELMA
indukta

Motor type

3SIEL160M-B35

(according to KK-35-01)

Drawing no.

S-1444-01-2014

Scale

1:10

Cantoni[®]
GROUP