

CELMA
indukta

Motor type

3SIE100L2,6,8A-B3

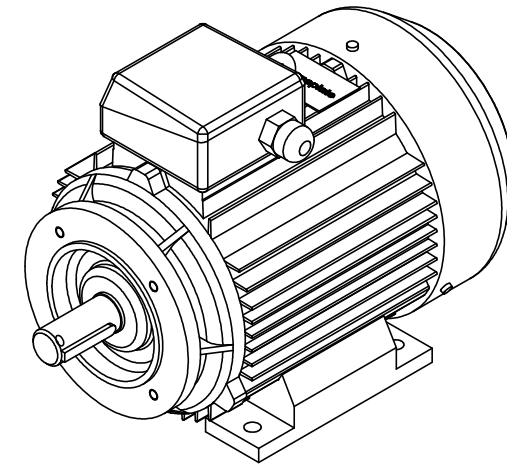
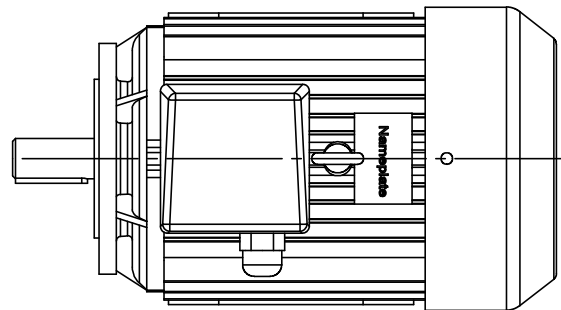
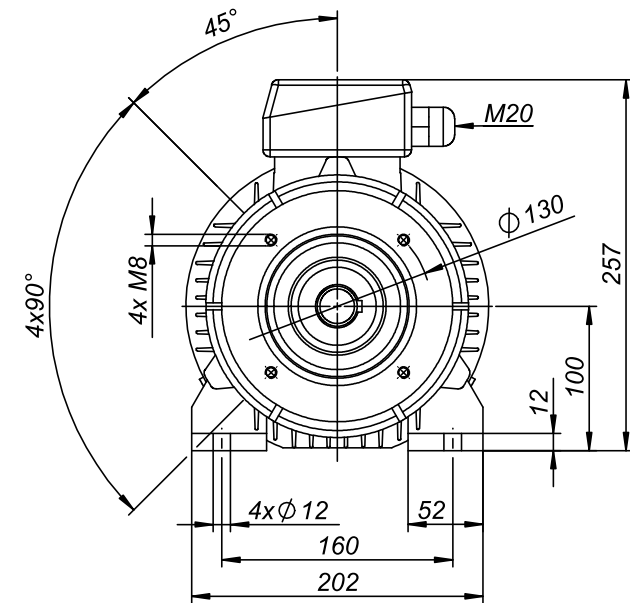
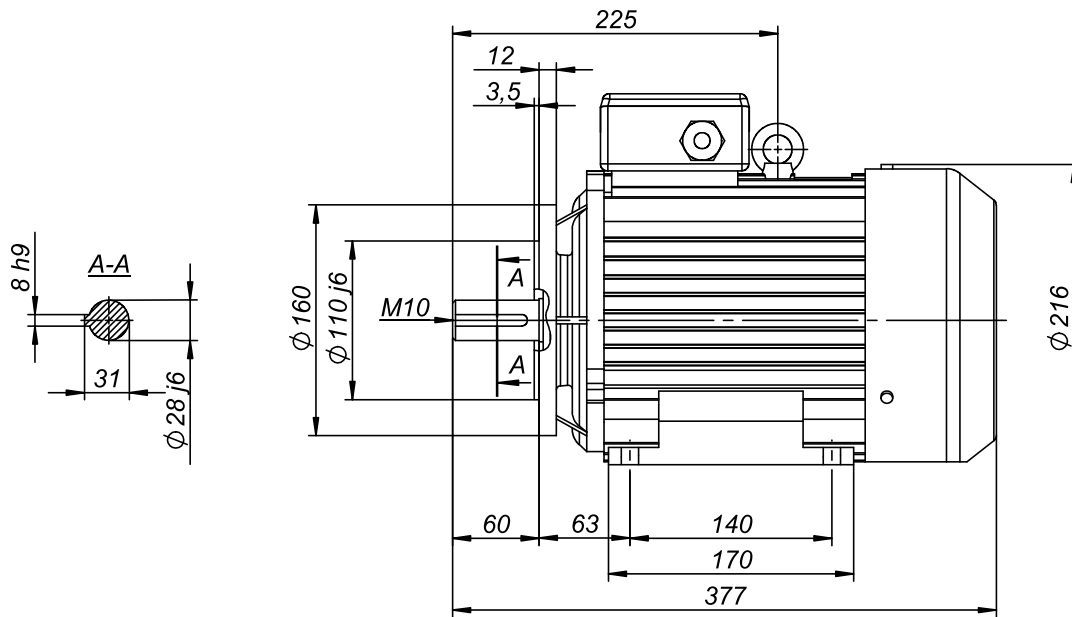
Cantoni[®]
GROUP

Drawing no.

S-1938-02-2016

Scale

1:5



CELMA
indukta

Motor type

3SIEL100L2,6,8A-B34-C2

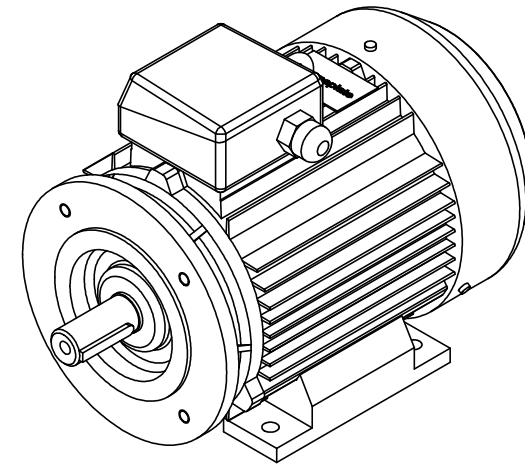
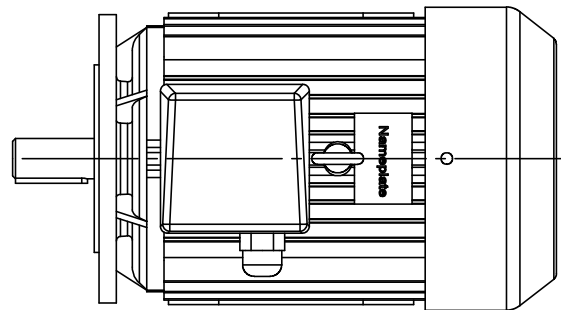
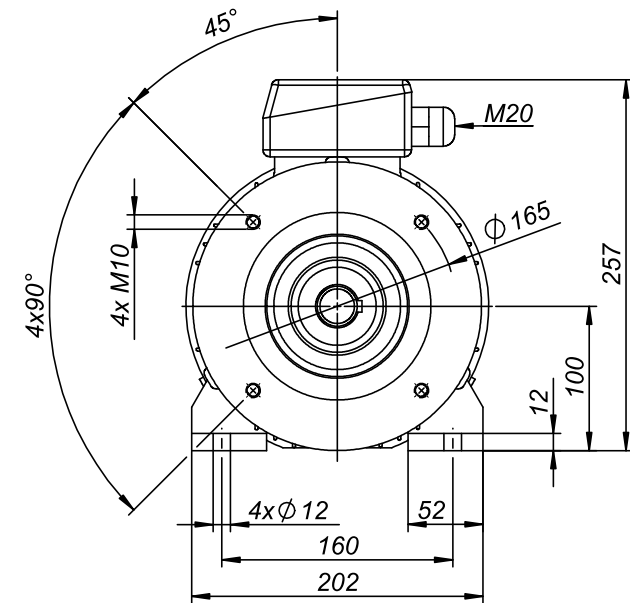
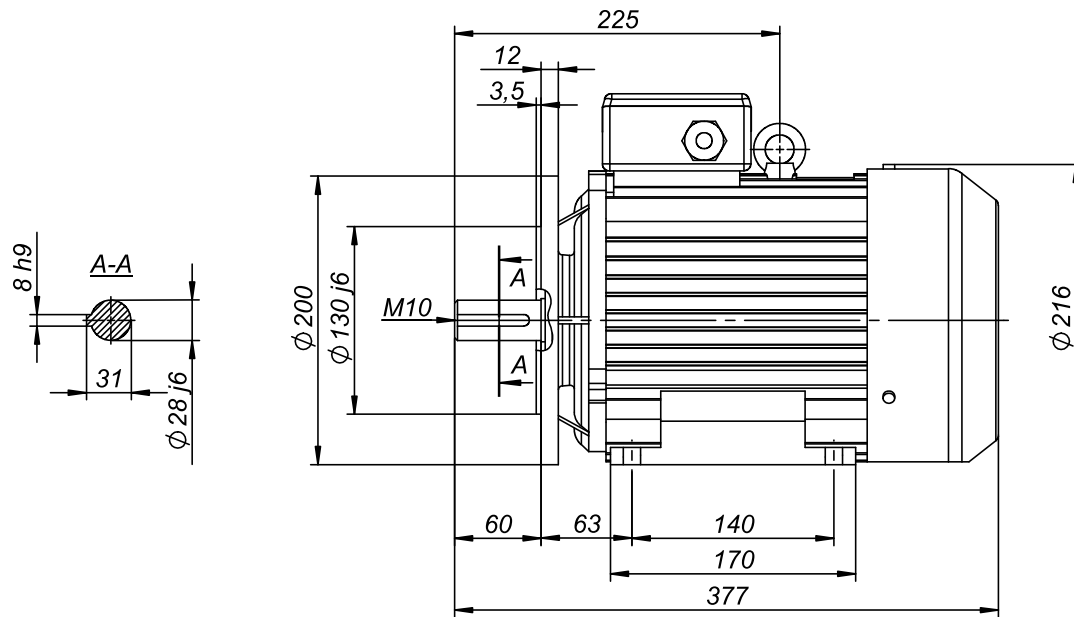
Drawing no.

S-1974-02-2016

Scale

1:5

Cantoni[®]
GROUP



CELMA
indukta

Motor type

3SIEL100L2,6,8A-B34-C1

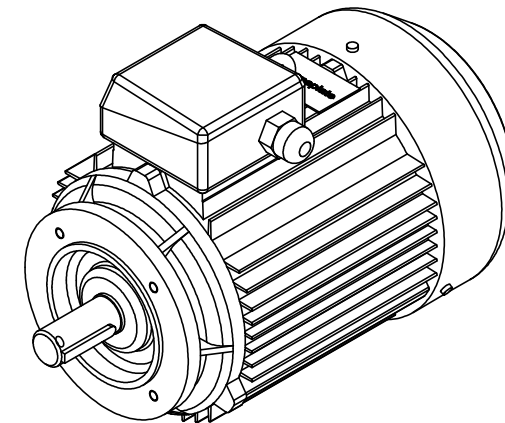
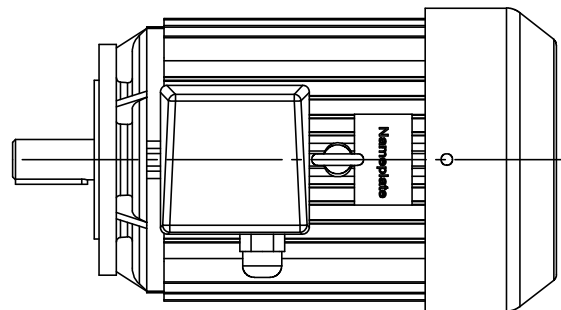
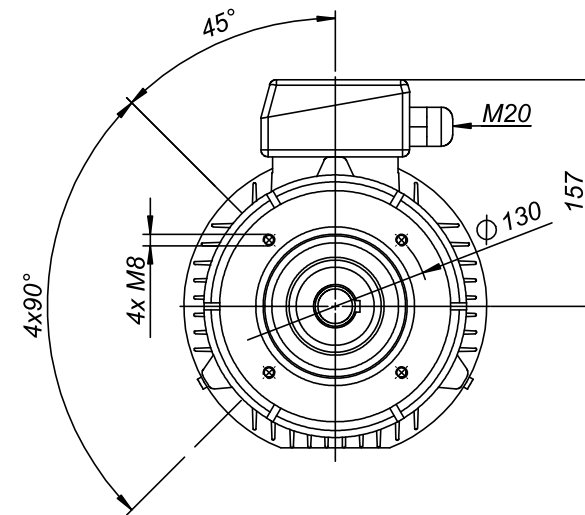
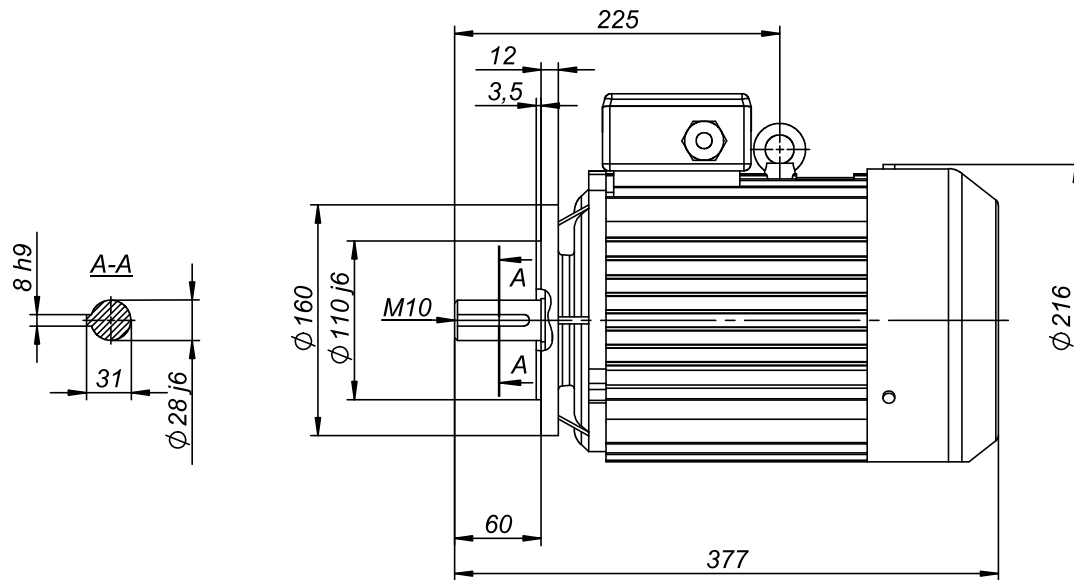
Drawing no.

S-1973-02-2016

Scale

1:5

Cantoni[®]
GROUP



CELMA
indukta

Motor type

3SIEK100L2,6,8A-B14-C2

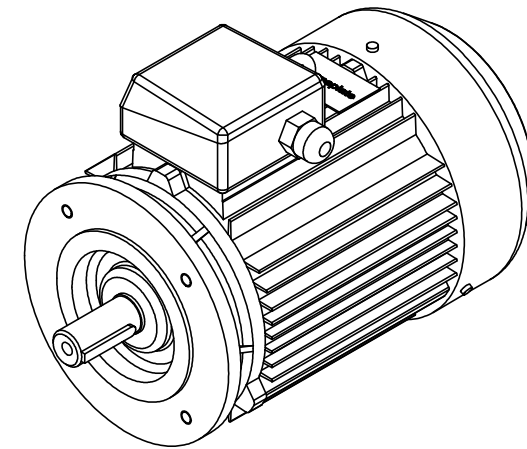
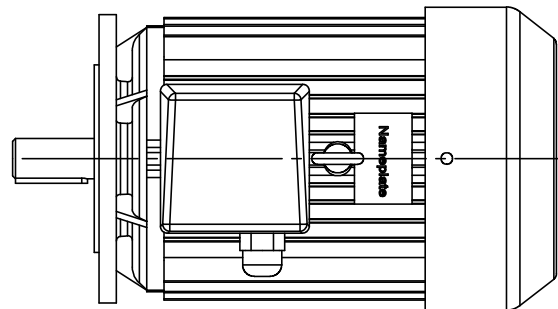
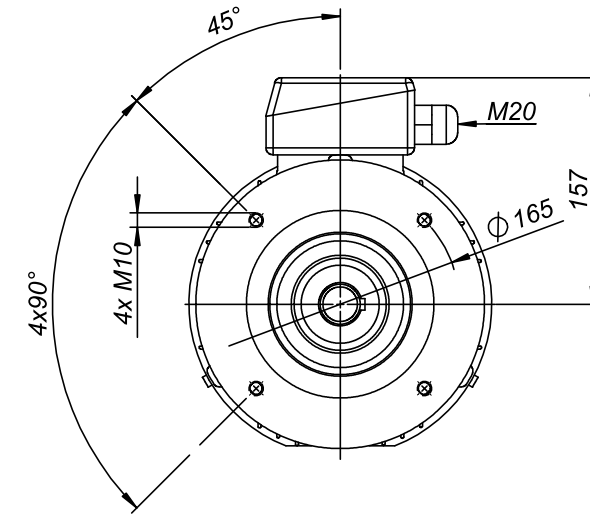
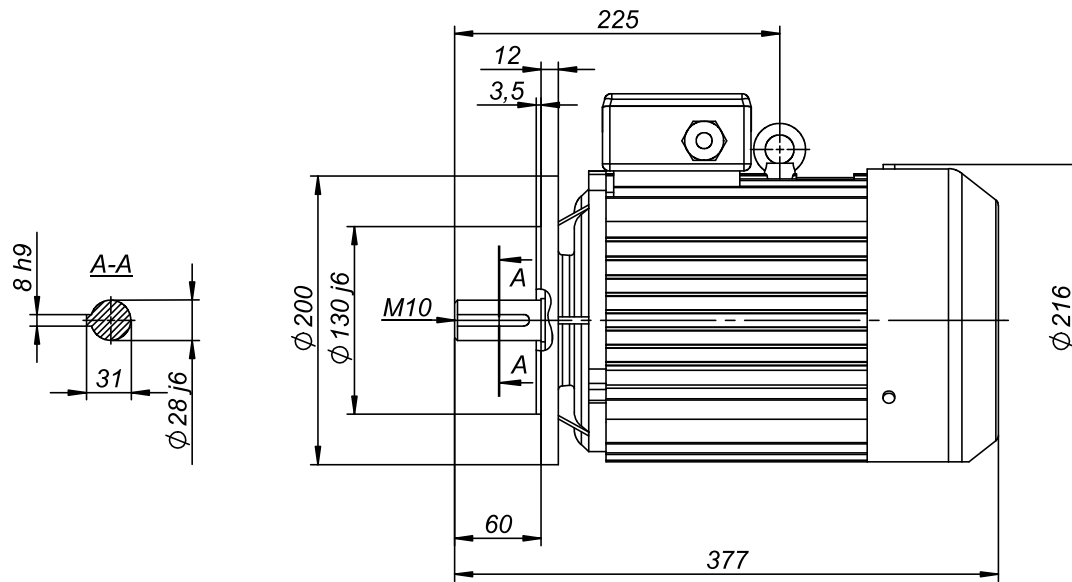
Drawing no.

S-1960-02-2016

Scale

1:5

Cantoni[®]
GROUP



CELMA
indukta

Motor type

3SIEK100L2,6,8A-B14-C1

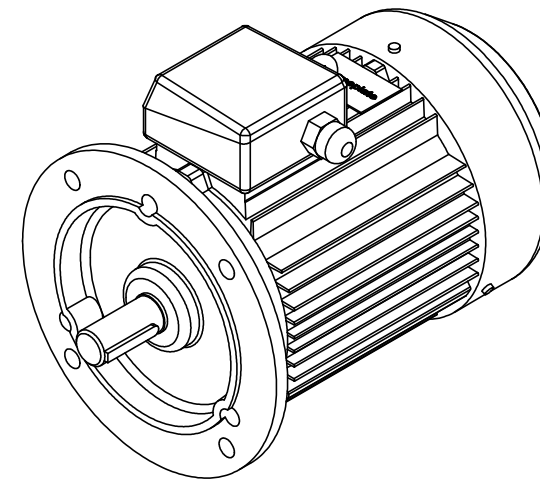
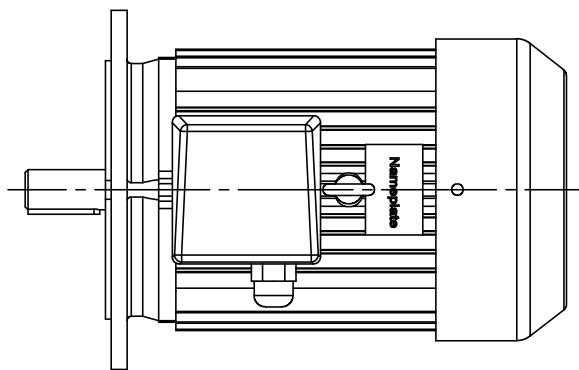
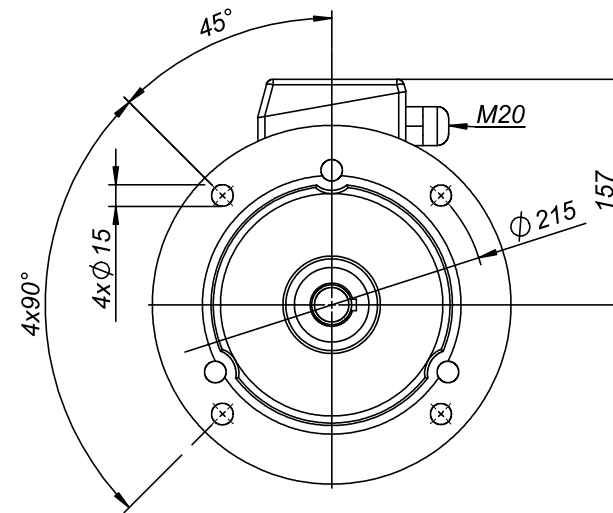
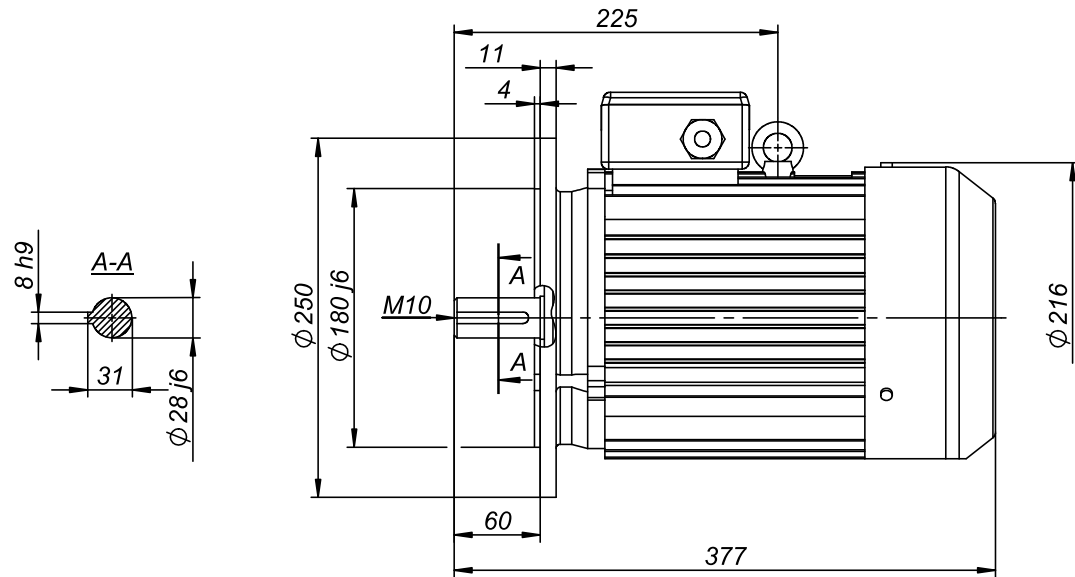
Drawing no.

S-1959-02-2016

Scale

1:5

Cantoni[®]
GROUP



CELMA
indukta

Motor type

3SIEK100L2,6,8A-B5

Cantoni
GROUP

Drawing no.

S-1944-02-2016

Scale

1:5

