

CELMA
indukta

Cantoni®
GROUP

Motor type

4SIE225S4-6, M4-6

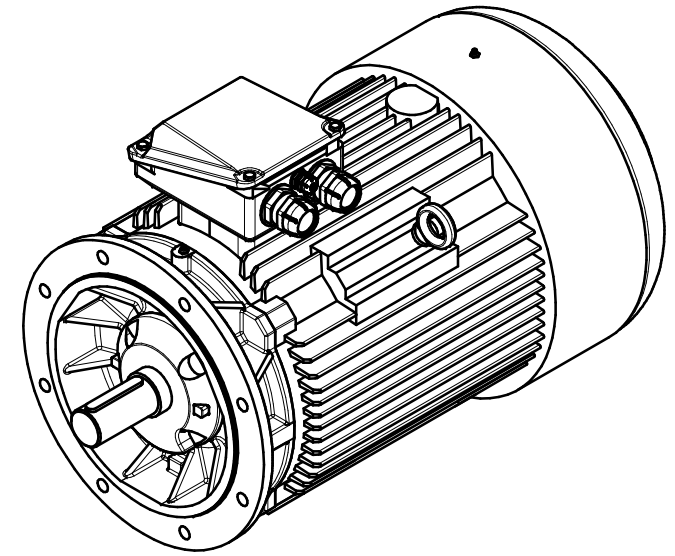
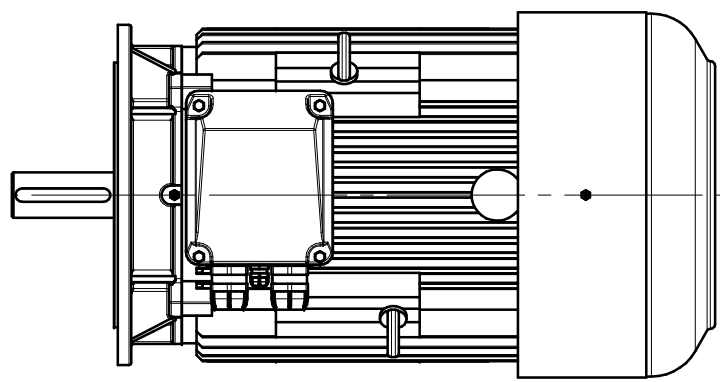
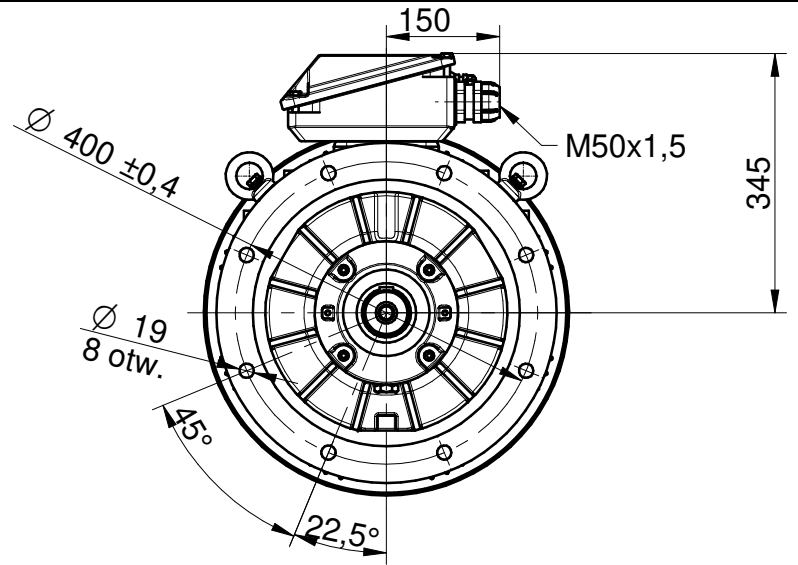
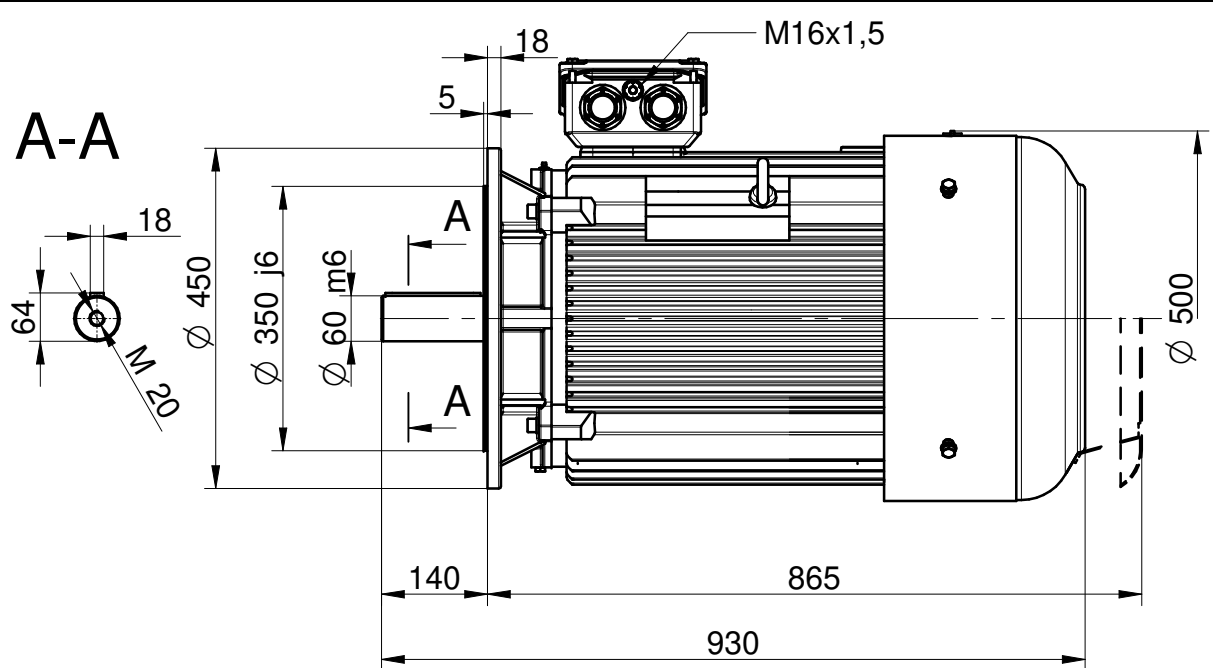
2023-05-08

Drawing no.

S13-516...656-000

Scale

1:10



CELMA
indukta

Cantoni
GROUP

Motor type

4SIEK225S4-6, M4-6

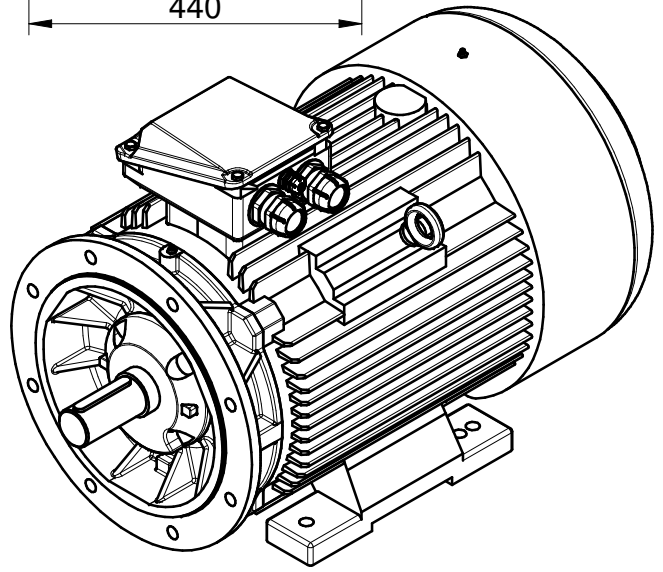
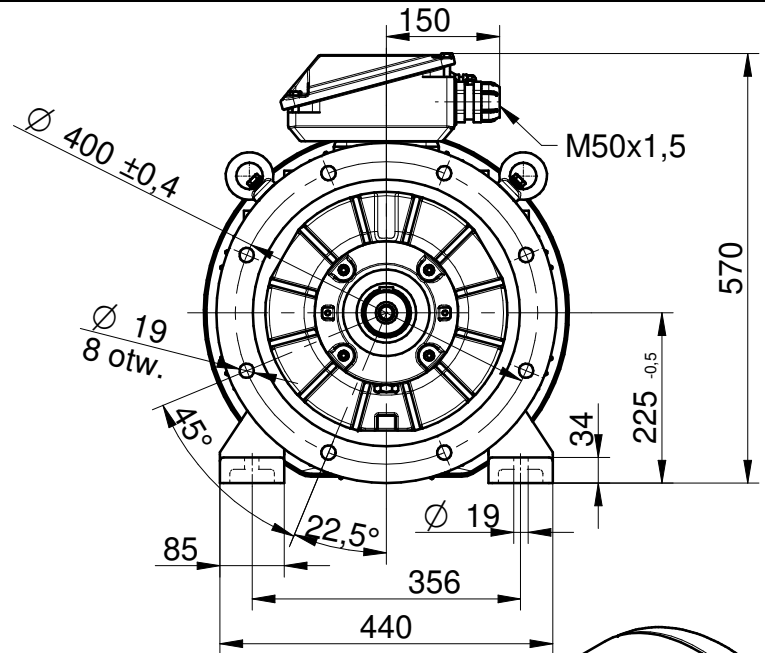
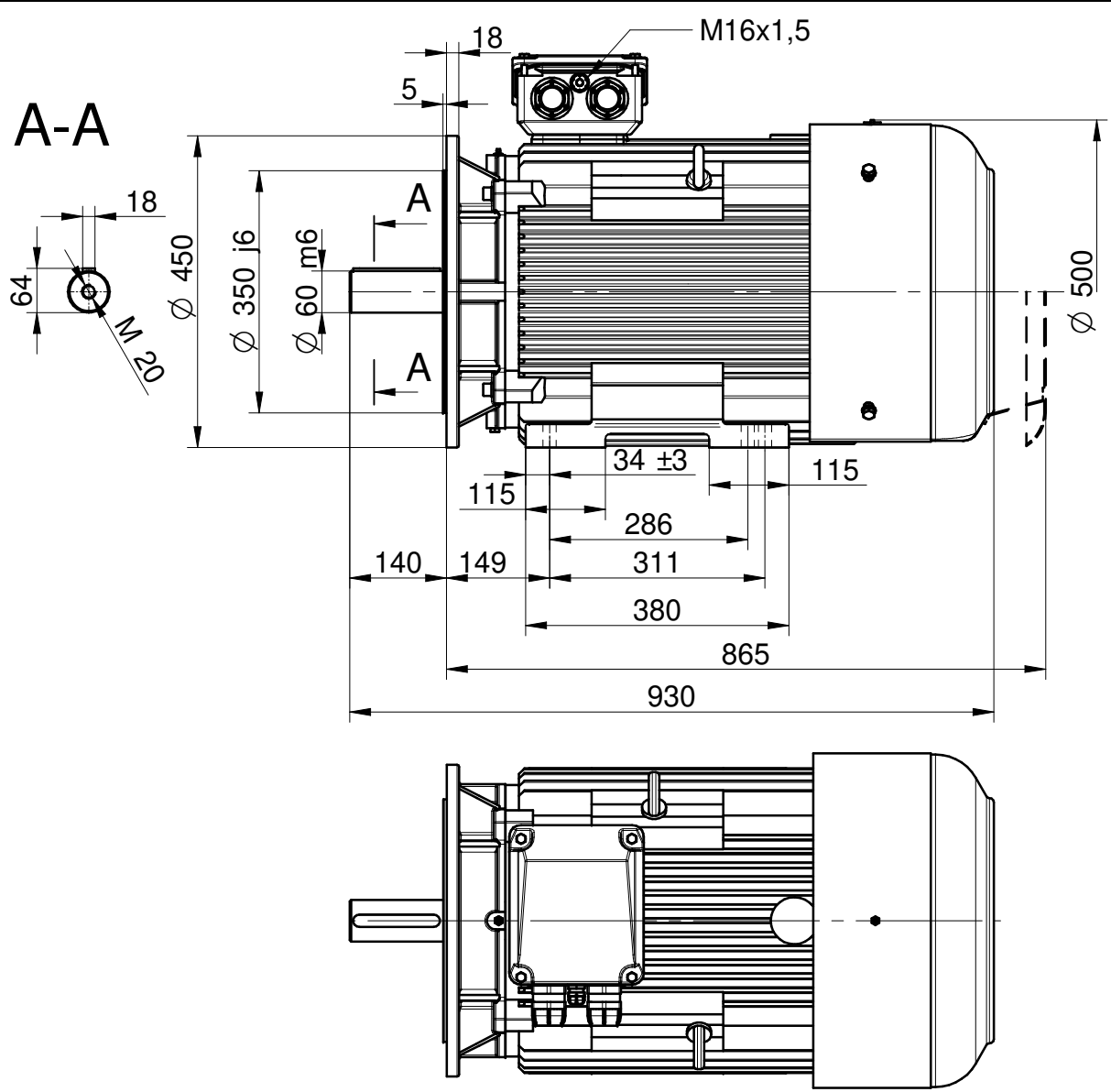
2023-05-08

Drawing no.

S13-524...658-000

Scale

1:10



CELMA
indukta

Cantoni
GROUP

Motor type

4SIEL225S4-6, M4-6

2023-05-08

Drawing no.

S13-520...657-000

Scale

1:10